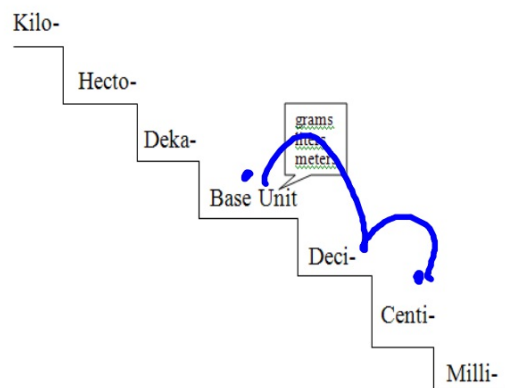


1. If you have not turned in your project, staple all of it together and turn it in the basket
2. Get the notes from the front table and tape them in
3. Get a whiteboard and a marker

4. Get out your homework

5. Problem of the day

$$75.36 \text{ cg} = \underline{.7536} \text{ g}$$



# Module 8 Lesson 2

I will be able to compare and order fractions, decimals, and percents.

# Compare Fractions, Decimals, and Percents

Make them all the same type of number to make it easier to compare

$$\begin{array}{l} \frac{30}{40} \\ \times 10 \\ \frac{3}{4} \\ 1. \frac{3}{4} > 0.7 \\ 3 \div 4 = 75\% \\ 75\% \end{array}$$
$$\begin{array}{l} \frac{28}{40} \\ \times 10 \\ \frac{7}{10} \\ 70\% \end{array}$$

$$7 \div 8 = .875$$

$$\begin{array}{l} .85 \\ 2) 85\% < \frac{7}{8} \\ 85\% < 87.5\% \end{array}$$

## Practice

1)  $\frac{2}{3}$   $>$  0.6  
Decimals  
 $2 \div 3 = .6\bar{6}$

3)  $\frac{1}{5}$   $=$  0.2  
 $1 \div 5 = .2$

5) 7%  $<$   $\frac{7}{10}$   
 $\frac{7}{100}$   
 $.07$   
 $.7$

2) 0.7  $<$   $\frac{8}{11}$

4) 42%  $<$  0.44

6) 6.5  $>$  65%

## Practice

---

Hillary found that  $\frac{3}{4}$  of her class prefers vanilla ice cream, 26% prefers chocolate, and 0.14 prefer strawberry. Which kind of ice cream do students prefer the least?

## Practice

---

The table shows the wins for some middle school football teams. Put the teams in order from the least number of wins to the greatest.

Team	Wins
Eagles	95%
Wolves	9/10
Mustangs	0.89